

Attachment 6 DP 424 Siting and Landscape Drawings

LANDSCAPE AREA B -
See Sheet L1.1

Squamish Green Technologies Centre Squamish, BC

Landscape Drawing Contents

- L0.0 Cover Sheet
- L1.0 Landscape Plan - Area A Ground Level
- L1.1 Landscape Plan - Area A Level 4
- L1.2 Landscape Plan - Area B
- L2.0 Materials & Lighting Plan - Area A
- L2.1 Materials Plan - Area B
- L3.0 Plant Lists
- L3.1 Planting Plan - Area A
- L3.2 Planting Plan - Area B
- L4.0 Cattermole Slough Section
- L5.0 Landscape Details

- 2. Revised for DP Comments 29-03-17
- 1. Issue for DP 06-03-17



PROJECT

GreenTech Centre Squamish, BC

DRAWING TITLE

Cover Page

DATE	Feb. 10, 2017	SCALE	NTS
PROJECT #	900	ITEM	
REVISION #	0	SHEET	L0.0





- Lawn
- TREE LINED BOULEVARD with Low Maintenance Perennials, Ornamental Grasses, & Groundcover
- BIKE LANE - Asphalt Surface
- TREE LINED BOULEVARD with Lawn
- BIKE LANE - Asphalt Surface

- LANDSCAPE BERM - Acts as Wind Break for Plaza Space
- GREENWAY - 3m Wide Crushed Gravel Trail
- BENCHES
- PATIO
- LANDSCAPE - Mix of Trees, Drifts of Shrubs, Hydroseed Meadow Mix

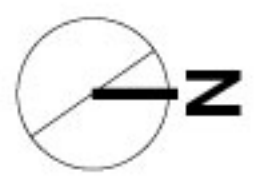
Road Grades to be Confirmed With Civil

Slope to Drain 2% Typical

Slope to Drain 2% Typical

Slope to Drain 2% Typical

Slope to Drain 2% Typical



- 2. Revised for DP Comments 29-03-17
- 1. Issue for DP 06-03-17



TOM BARRATT LTD.
Landscape Architects
8605 Drifter Way Whistler BC Canada V0N 1B8
7604.932.3040 info@tbb.com
www.tbb.com

PROJECT
GreenTech Centre Squamish, BC

DRAWING TITLE
Landscape Plan & Grading Concept Area A

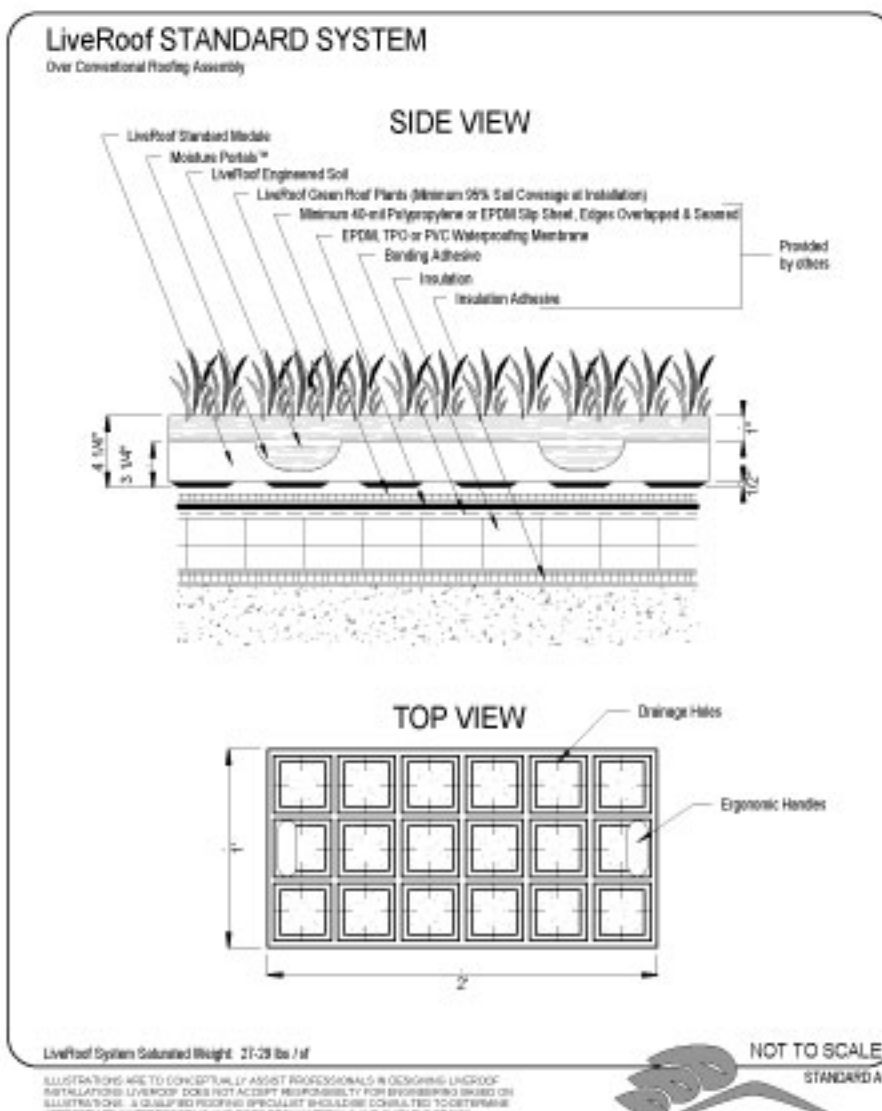
DATE	Feb. 10, 2017	SCALE	1:200
PROJECT #	900	ITEM	
REVISION #	0	SHEET	L1.0



STREET TREES - In Tree Grate with Structural Soil and Soil Cells As per DoS Standard

STREET TREES - In Tree Grate with Structural Soil and Soil Cells As per DoS Standard

Road Grades to be Confirmed With Civil



GREENWAY

PROPERTY LINE 86.0007m

PROPERTY LINE 125° 45' 00" 86.0007m

PROPERTY LINE 35° 00' 00" 92.850m

PROPERTY LINE 93.976m

LOT 4.1

GREEN ROOF - LiveRoof System See Specification Above

GREEN ROOF - LiveRoof System See Specification Above

GUARDRAIL AROUND PATIO - Refer to Architecture

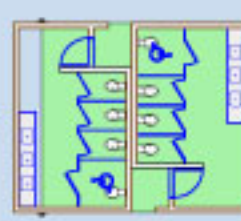
PATIO - Furniture by Tenants

HYDRAPRESSED CONCRETE PAVERS

Gravel Strip

Gravel Strip

OFFICE SPACE

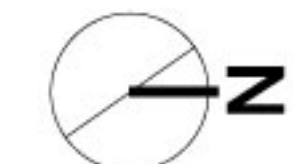


BOBBY

OFFICE SPACE

ATRIUM

ATRIUM



125° 45' 00" 202.478m

- 2. Revised for DP Comments 29-03-17
- 1. Issue for DP 06-03-17



TOM BARRATT LTD.
Landscape Architects

8605 Drifter Way Whistler, BC Canada V0N 1B8
76049323040 info@tbla.com
www.tbla.com

PROJECT

GreenTech Centre
Squamish, BC

DRAWING TITLE

Landscape Plan
Area A - Level 4

DATE	Feb. 10, 2017	SCALE	1:200
PROJECT #	900	ITEM	
REVISION #	0	SHEET	L1.1





- SAND/COBBLE BEACH NOURISHMENT FILL - Will Promote Re-establishment of Rock Weed
- REPLANTED EXISTING SEDGE GRASS MAT
- LOGS - To be Anchored by Cable and Buried Rock
- CATTLEMOLE FORESHORE HABITAT PLANTING
- Crushed Gravel Trail

- LANDSCAPE - Mix of Trees, Drifts of Shrubs, Hydroseed Meadow Mix
- GREENWAY - 3m Wide Crushed Gravel Trail

Gravel Drip Strip Around Building Perimeter

Hydroseed Meadow Mix

BIKE LANE - Asphalt Surface
LAWN BOULEVARD

- 2. Revised for DP Comments 29-03-17
- 1. Issue for DP 06-03-17



**GreenTech Centre
Squamish, BC**

**Landscape Plan
Area B**

DATE	Feb. 10, 2017	SCALE	1:200
PROJECT #	900	ITEM	
REVISION #	0	SHEET	L1.2



HARDSCAPES & FURNISHINGS LEGEND

- 1 Crushed Gravel Trail
- 2 Concrete Unit Pavers - Unlocked Artline
- 3 Sawcut Concrete Broom Finish
- 4 Sawcut Concrete Sand-Blast Finish
- 5 Asphalt Bike Path
- 6 Basalt Seat Steps
- 7 Steel Planters with Custom Bench - Coreten Steel, 0.45m High
- 8 Bench - Landscape Forms Neoliviano
- 9 Bike Racks - Landscape Forms Emerson Bike Rack
- 10 Cafe Tables - TBD by Tenant
- 11 Bearproof Garbage/Recycling - as per DoS Standard
- 12 Landscape Logs & Boulders
- 13 Tree Grates - as per DoS Standard



LANDSCAPE LIGHTING LEGEND

- Street Light - LUMCA CPG9401
- See Light Specification Sheets
- Final Locations Subject to Detailed Engineering
- LED Bollard - Structura MAC II
- See Light Specification Sheets
- Uplight - BK Micro Mini Floodlight
- See Light Specification Sheets
- LED Light Strip - Diffusion Lighting
- See Light Specification Sheets



- 2. Revised for DP Comments 29-03-17
- 1. Issue for DP 06-03-17

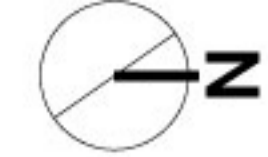
TOM BARRATT LTD.
Landscape Architects
8605 Dufferin Way Whistler BC Canada V0N 1B8
T:604.932.3040 info@tba.com
www.tba.com

PROJECT
**GreenTech
Centre
Squamish, BC**

DRAWING TITLE
**Hardscapes,
Furnishings, &
Lighting Plan
Area A**

DATE	Feb. 10, 2017	SCALE	1:200
PROJECT #	900	ITEM	
REVISION #	0	SHEET	L2.0





HARDSCAPES & FURNISHINGS LEGEND

- 1 Crushed Gravel Trail - 3m Wide
- 2 Asphalt Bike Path
- 3 Sawcut Concrete Broom Finish
- 4 Internal Laydown Space - Asphalt
- 5 Landscape Logs & Boulders
- 6 Bike Rack
- 7 Gravel Drip Strip

LANDSCAPE LIGHTING LEGEND

Street Light - LUMCA CPG9401
- See Light Specification Sheets
- Final Locations Subject to Detailed Engineering

CP9401

TECHNICAL DATA	<ul style="list-style-type: none"> Height: 3.0 m Weight: 150 (155, 160, 165) Max. Spacing: 12m Max. Spacing: 12m 	<ul style="list-style-type: none"> Light Source: LED Beam Spread: 120° Color Temperature: 3000K Power: 150W
OPERATION	<ul style="list-style-type: none"> IP67 Protection IP67 Protection IP67 Protection 	<ul style="list-style-type: none"> Light Sensor Light Sensor Light Sensor

- 2. Revised for DP Comments 29-03-17
- 1. Issue for DP 06-03-17



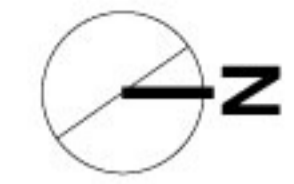
PROJECT

**GreenTech Centre
Squamish, BC**

DRAWING TITLE

**Materials Plan
Area B**

DATE	Feb. 10, 2017	SCALE	1:200
PROJECT #	900	ITEM	
REVISION #	0	SHEET	L2.1



Lawn Boulevard

Lawn Boulevard

Hydroseed Meadow Mix

Green Roof
- See L1.1

Lawn

LOT 4.1

GREENWAY

PROPERTY LINE 86.007m

PROPERTY LINE 93.076m

125° 45' 00" 20
232.478m

PROPERTY LINE 125° 45' 00" 86.007m

PROPERTY LINE 35° 00' 00" 92.850m

- 2. Revised for DP Comments 29-03-17
- 1. Issue for DP 06-03-17



PROJECT

**GreenTech
Centre
Squamish, BC**

DRAWING TITLE

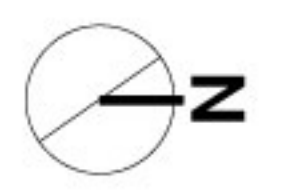
**Planting Plan
Area A**

DATE	Feb. 10, 2017	SCALE	1:200
PROJECT #	900	ITEM	
REVISION #	0	SHEET	L3.1





- SAND/COBBLE BEACH NOURISHMENT FILL - Will Promote Re-establishment of Rock Weed
- REPLANTED EXISTING SEDGE GRASS MAT
- LOGS - To be Anchored by Cable and Buried Rock
- CATTLEMOLE FORESHORE HABITAT PLANTING



Hydroseed Meadow Mix

GREENWAY

PROPERTY LINE 127° 55' 4m

PROPERTY LINE 125° 45' 00" 126.469m

Hydroseed Meadow Mix

Lawn Boulevard

- 2. Revised for DP Comments 29-03-17
- 1. Issue for DP 06-03-17



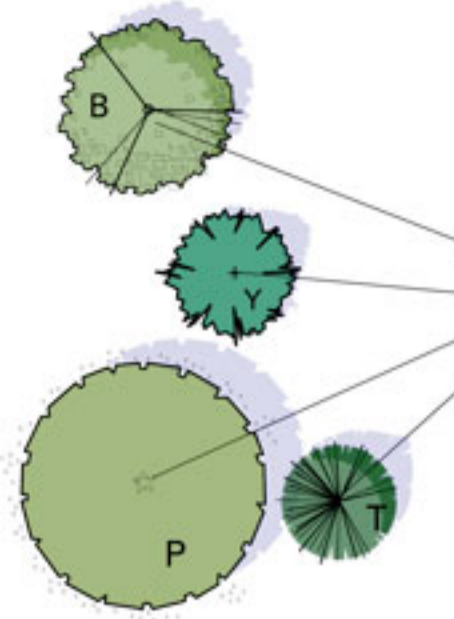
PROJECT
GreenTech Centre
Squamish, BC

DRAWING TITLE
Planting Plan
Area B

DATE	Feb. 10, 2017	SCALE	1:200
PROJECT #	900	ITEM	
REVISION #	0	SHEET	L3.2

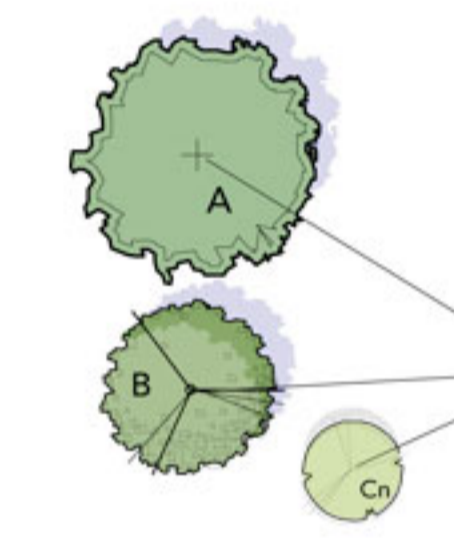
GREENWAY PLANT LIST

BOTANICAL NAME	COMMON NAME	SYMBOL	COUNT	SIZE
TREES				
<i>Betula papyrifera</i> (Triple/Single Stems)	Paper Birch	B	6	7cm Cal.
<i>Chamaecyparis nootkatensis</i>	Yellow Cedar	Y	10	1.5m
<i>Populus Tremuloides</i>	Trembling Aspen	P	6	7cm Cal.
<i>Tsuga mertensiana</i>	Mountain Hemlock	T	5	1.5m
SHRUBS				
<i>Cornus sericea</i> 'Flaviramea'	Yellow Twig Dogwood	Cs	34	#2pot
<i>Rosa woodsii</i>	Wood's Rose	w	66	#2pot
<i>Physocarpus capitalus</i>	Pacific ninebark	Pc	5	#2pot
<i>Siprea douglasii</i>	Hardhack	sd	20	#1pot
ORNAMENTAL GRASSES				
<i>Calamagrostis x acutifolia</i> 'Karl Foerster'	Feather Reed Grass	Ck	32	#1pot
<i>Deschampsia caespitosa</i> 'Bronzeschleier'	Bronzeschleier Tufted Hair Grass	Dc	192	#1pot
<i>Miscanthus sinensis purpurascens</i>	Flame Grass	MP	87	#1pot
FERNS				
<i>Polystichum munitum</i>	Sword Fern	sf	117	#1pot
PERENNIALS				
<i>Rudbeckia fulgida</i> 'Goldsturm'	Goldsturm Cone Flower	rg	74	#1pot
<i>Rudbeckia nitida</i> 'herbstonne'	Herbstonne Rudbeckia	Rn	39	#1pot



STREETSCAPE PLANT LIST

BOTANICAL NAME	COMMON NAME	SYMBOL	COUNT	SIZE
TREES				
<i>Acer fremanii</i> 'Jeffsred'	Autumn Blaze Maple	A	6	7cm Cal.
<i>Betula utilis</i> var. <i>jacquemontii</i>	Whitebarked Himalayan Birch	B	16	7cm Cal.
<i>Cornus nuttalli</i> 'Eddie's White Wonder'	Eddie's White Wonder Dogwood	Cn	6	7cm Cal.
SHRUBS				
<i>Buxus</i> 'Green Mountain'	Boxwood	Bg	77	#1pot
<i>Cornus sericea</i> 'kelseyi'	Kelsey's Dwarf Red Osier Dogwood	kd	75	#2pot
<i>Rosa woodsii</i>	Wood's Rose	w	30	#2pot
ORNAMENTAL GRASSES				
<i>Calamagrostis x acutifolia</i> 'Karl Foerster'	Feather Reed Grass	Ck	18	#1pot
<i>Deschampsia caespitosa</i> 'Bronzeschleier'	Bronzeschleier Tufted Hair Grass	Dc	188	#1pot
<i>Koeleria macrantha</i>	Prairie June Grass	km	208	#1pot
GROUNDCOVERS				
<i>Arctostaphylos uva-ursi</i>	Kinnickinnick	k	196	#10pot
PERENNIALS				
<i>Liriope gigantea</i>	Giant Lilyturf	Lg	171	#1pot
<i>Rudbeckia fulgida</i> 'Goldsturm'	Goldsturm Cone Flower	rg	39	#1pot



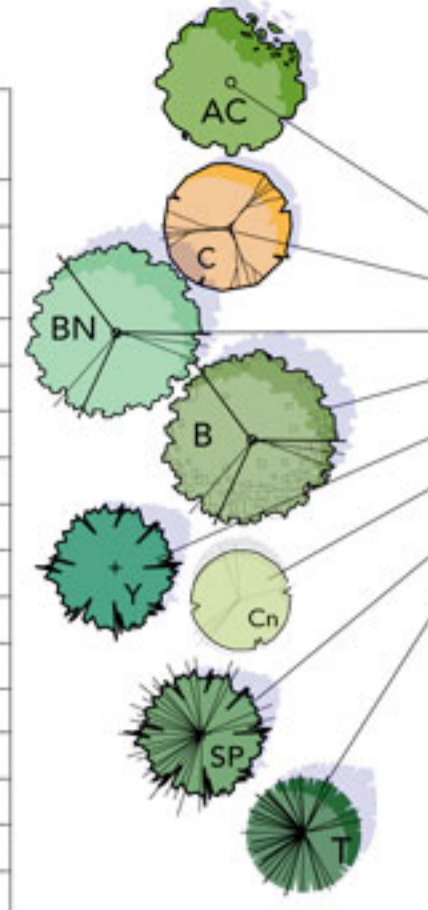
Hydroseed Mix - Herbaceous Natural Rough

Grass Mix to 12" ± Height:
 35% Nakiska Sheep Fescue
 35% Aurora Hard Fescue
 15% 4 Aces Kentucky Bluegrass
 5% Barracuda Red Top
 10% Fults Alkali Grass

Note: All planting beds & green roofs to be irrigated by accredited Irrigation Professional.

ON SITE PLANT LIST

BOTANICAL NAME	COMMON NAME	SYMBOL	COUNT	SIZE
TREES				
<i>Acer circinatum</i>	Vine Maple	AC	8	4cm Cal.
<i>Amelanchier x grandiflora</i> 'Princess Diana'	Princess Diana Serviceberry	C	6	4cm Cal.
<i>Betula nigra</i>	River Birch	BN	9	7cm Cal.
<i>Betula utilis</i> var. <i>jacquemontii</i>	Whitebarked Himalayan Birch	B	10	7cm Cal.
<i>Chamaecyparis nootkatensis</i>	Yellow Cedar	Y	6	1.5m
<i>Cornus nuttalli</i> 'Eddie's White Wonder'	Eddie's White Wonder Dogwood	Cn	4	7cm Cal.
<i>Pinus contorta</i>	Shore Pine	SP	9	1.5m
<i>Tsuga mertensiana</i>	Mountain Hemlock	T	6	1.5m
SHRUBS				
<i>Buxus</i> 'Green Mountain'	Boxwood	Bg	37	#1pot
<i>Cornus sericea</i> 'kelseyi'	Kelsey's Dwarf Red Osier Dogwood	kd	96	#2pot
<i>Cornus sericea</i> 'Flaviramea'	Yellow Twig Dogwood	Cs	101	#2pot
<i>Gaultheria procumbens</i>	Wintergreen	gp	78	#1pot
<i>Philadelphus lewisii</i>	Mock Orange	Pl	2	#2pot
<i>Rosa</i> 'Simon Fraser'	Simon Fraser Rose	RS	34	#2pot
<i>Rosa woodsii</i>	Wood's Rose	w	121	#2pot
<i>Physocarpus capitalus</i>	Pacific ninebark	Pc	65	#2pot
<i>Siprea douglasii</i>	Hardhack	sd	56	#1pot
<i>Sarcacococca ruscifolia</i>	Sweet Box	Sru	29	#2pot
<i>Spiraea japonica</i> 'magic carpet'	Magic Carpet Spirea (2')	Sj	10	#1pot
ORNAMENTAL GRASSES				
<i>Calamagrostis x acutifolia</i> 'Karl Foerster'	Feather Reed Grass	Ck	151	#1pot
<i>Deschampsia caespitosa</i> 'Bronzeschleier'	Bronzeschleier Tufted Hair Grass	Dc	47	#1pot
<i>Koeleria macrantha</i>	Dune Grass	km	90	#1pot
<i>Miscanthus sinensis</i> 'Purpurascens'	Flame Grass	MP	111	#1pot
<i>Panicum virgatum</i> 'Northwind'	Northwind Switch Grass	Pv	61	#1pot
FERNS				
<i>Blechnum spicant</i>	Deer Fern	df	92	#1pot
<i>Matteuccia struthiopteris</i>	Ostrich Fern	of	127	#1pot
<i>Polystichum munitum</i>	Sword Fern	sf	164	#1pot
GROUNDCOVERS				
<i>Arctostaphylos uva-ursi</i>	Kinnickinnick	k	94	#10pot
PERENNIALS				
<i>Liriope gigantea</i>	Giant Lilyturf	Lg	89	#1pot
<i>Rudbeckia fulgida</i> 'Goldsturm'	Goldsturm Cone Flower	rg	12	#1pot



FORESHORE PLANTING

BOTANICAL NAME	COMMON NAME	SYMBOL	COUNT	SIZE
<i>Carex obnupta</i>	Slough Sedge	co	3067	#1pot
<i>Carex rostrata</i>	Beaked Sedge	cr	2169	#1pot
<i>Deschampsia caespitosa</i> 'Bronzeschleier'	Bronzeschleier Tufted Hair Grass	Dc	47	#1pot
<i>Deschampsia caespitosa</i> 'Schottland'	Scottish Tufted Hair Grass	dc	590	#1pot
<i>Leymus mollis</i>	American Dune Grass	lm	942	#1pot
<i>Myrica gale</i>	Sweetgale	Mg	23	#1pot
<i>Ribes sanguineum</i>	Flowering Current	rs	80	#2pot
<i>Rosa nutkana</i>	Nootka Rose	rn	154	#2pot
<i>Salix scouleriana</i>	Scouler's Willow	sa	36	#2pot

2. Revised for DP Comments 29-03-17
 1. Issue for DP 06-03-17



PROJECT

**GreenTech
 Centre
 Squamish, BC**

DRAWING TITLE

**Planting -
 Overall Plant List**

DATE Feb. 10, 2017 SCALE
 PROJECT # 900 ITEM
 REVISION # 0 SHEET **L3.0**

1 Lighting and Dark Sky principals

Dark Sky principles are employed to reduce illumination of the sky, light trespass on adjacent properties and glare. Shielded fixtures provide direct illumination downward from the fixture, illuminating

- 1 Street lighting will be per the approved municipal standard light standard. This is a full cut-off fixture, approved for dark Sky. Fixture: Lumca Concept 80W- CP9401 Post Top w/ tall post
- 2 Exterior parking lot lighting will be provided with a full cut-off light fixture. The fixture will be lamped to provide lighting levels at the code minimum. Fixture: Lumca Concept 80W- CP9401 Post Top w/ short pole
- 3 Building lighting will be recessed Led strips located within the soffits. This fixture will direct appropriate illumination levels to the sidewalk while cutting off any illumination of the sky. The canopy itself provides shielding from sky illumination. Upper portions of the building will not be illuminated from the exterior. Fixture: Lumenwerx VIA WET LED Recessed
- 4 A low level, accent strip lighting fixture will be installed flush with the columns along the street facades. This fixture will provide a subtle accent glow, and is not intended for illumination. Fixture: Lumenwerx VIA WET LED Recessed - Low output lumen package



End of trip facility- Interior bike racks

Exterior bike racks

1. & 2. Street light and parking (lower post)



CP8401

TECHNICAL DATA

Distribution: II-III-V
Voltage: 120-277, 347-480
Wattage LED: 30-150W
Wattage HID: 70-175W

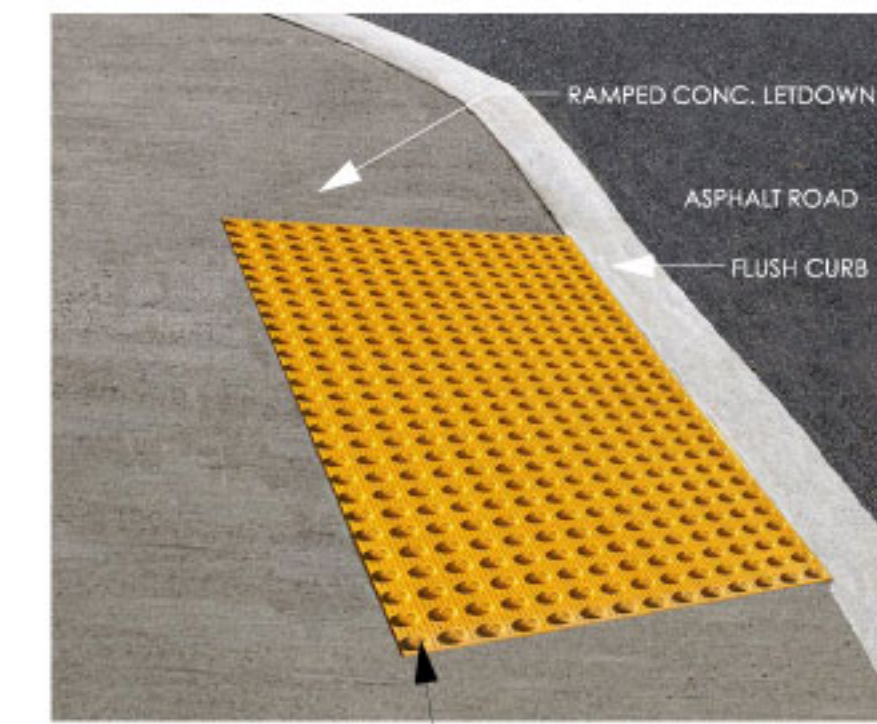
OPTIONS

HSS: House side shield
BTP: Button type photocell
CWI: Constant wattage autotransformer

- HID** High-intensity discharge lamp
- LED** Light-emitting diode
- IP66** IP66 rating means that the optical system of this product is protected against the ingress of dust and high pressure water jets from any direction.
- Meeting light pollution requirements
- A new CONCEPT of modular components that combined together creates in harmony a multitude of new styles and aesthetic designs.
- IND** Induction lamp
- Canadian Standards Association
- Tool less access
- Wireless control device

- BROCHURE**
- TECHNIC** CADDetails
- TECHNIC** LUMCA MOBILE
- IES (LED)**
- IES (HID)**

Accessible Sidewalk Letdowns



2' x 4' WIDE TACTILE WARNING STRIP C/W RAISED TRUNCATED DOMES, YELLOW.

3. & 4. Soffits and Columns recessed lighting



VIA WET LED RECESSED

DESCRIPTION
 Via Wet offers architectural lighting for wet locations in both exterior and interior applications. With a simple 3/4" high by 4 1/2" wide profile of extruded aluminum, Via Wet can be installed in recessed, ceiling, wall, or pendant mounting. Fully sealed, Via Wet is suitable for extreme weather conditions: -20°C/-4°F to 40°C/104°F. A choice of output options provides up to 1000 lumens per foot section.

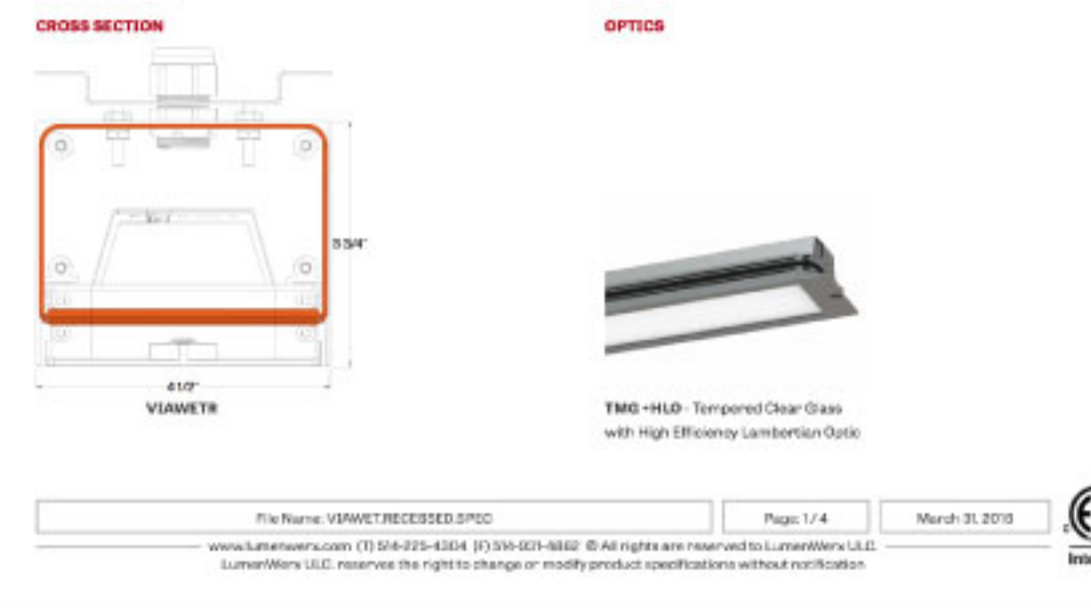
PROJECT:
TYPE:
NOTES:

ORDER GUIDE

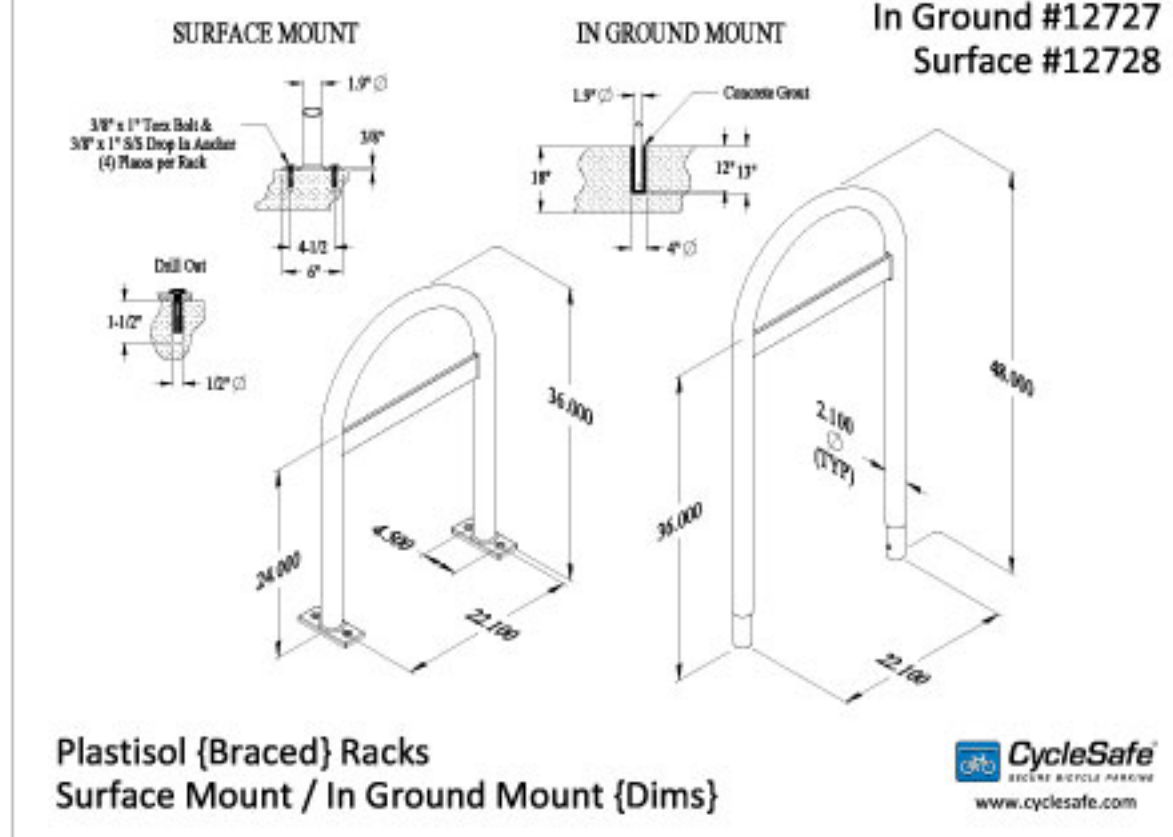
LUMINAIRE ID	OPTICS	LED	CWI	LUMEN PACKAGES	COLOR TEMP.
VIAWETR - no wall recessed	TMO - Tempered Clear Glass PWC - Clear Polycarbonate HLD - High-Efficiency Lambertian Optic FMO - Precision Micro-Film Optic	LED - high performance LED	80 - 800K 80 - 500K	800 - low output 800lm/ft 150 - med output 1500lm/ft 1000 - high output 1000lm/ft	30 - 3000K 35 - 3000K 40 - 4000K 50 - 3000K

LUMINAIRE LENGTH	VOLTAGE	DRIVER	ELECTRICAL	EF	POWER FEED	MOUNTING	FINISH
Standard sections - 3 ft For weather-sealed length WFT - nominal length in feet Continuous Run - 6' sections Join together	120 - 277V EFF - 277V UMV - 200-277V SEF - 347V	0 - dimming 0-10V	1 - 1 output +EM - emergency light circuit +HL - high lumen circuit +BD - generator transfer device	EF - end feed	OHG - other ceiling Substr. M	W - white OF - opaque finish specify SAA	

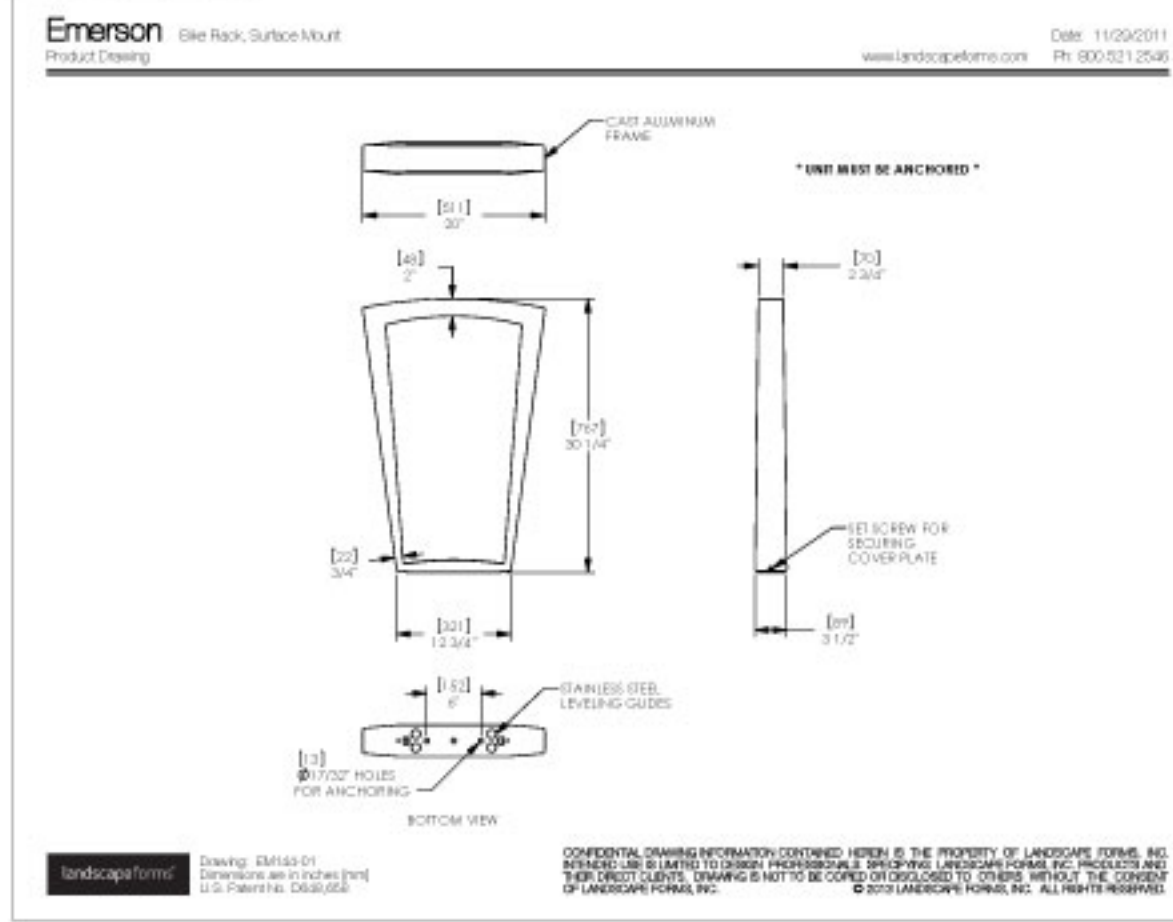
See page 2 for ordering code detailed information



End of trip facility - Interior bike racks



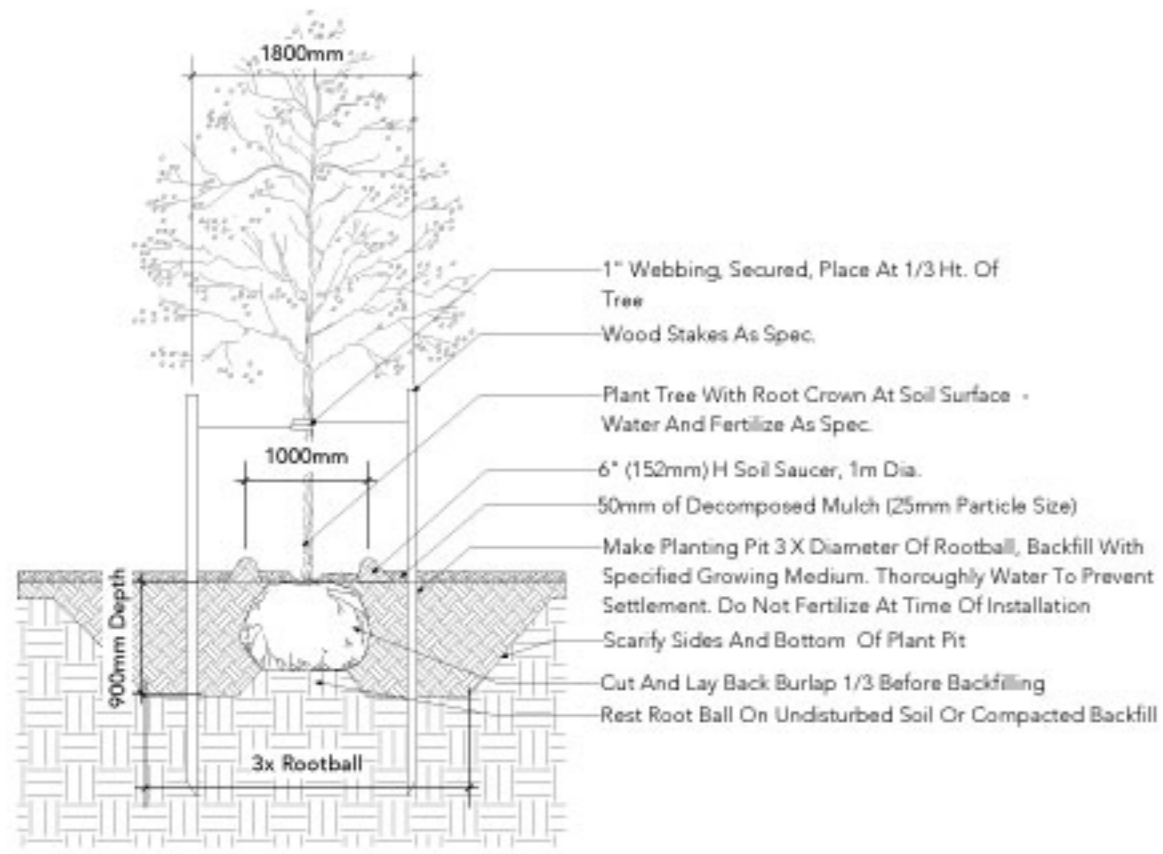
Exterior bike racks



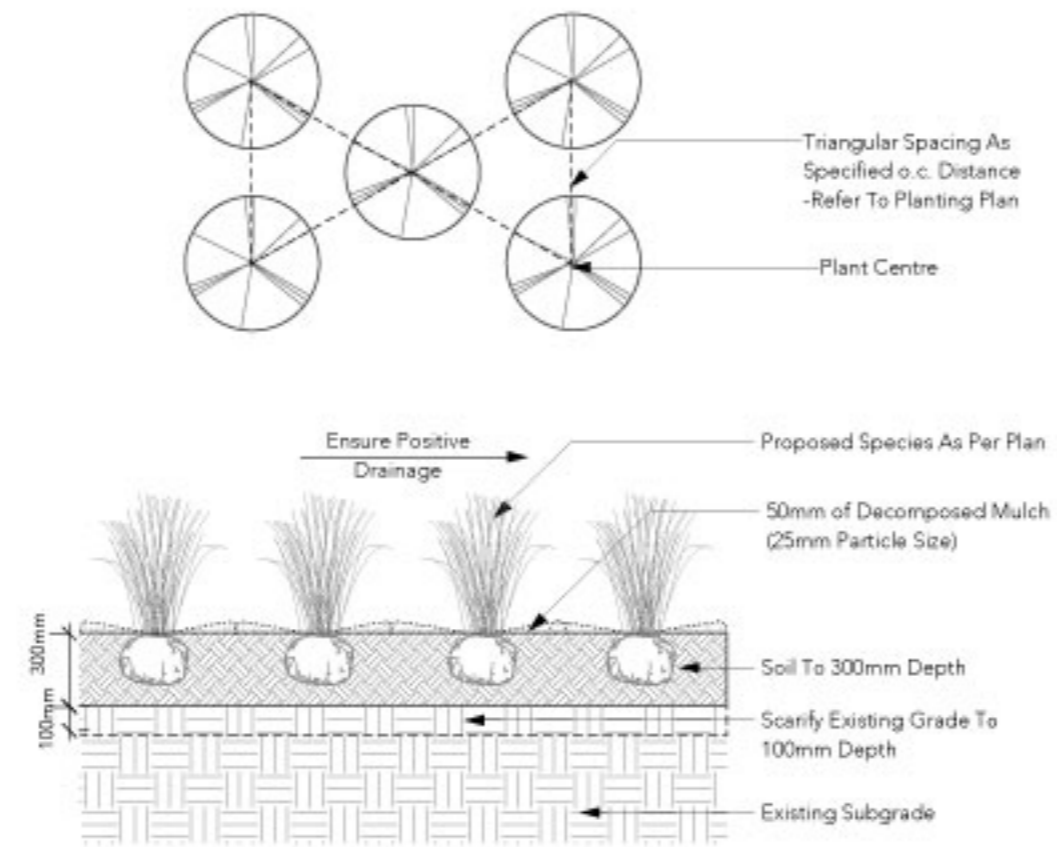
date	description
2016/02/20	Client Review
2016/09/09	ADP 2
2017/03/06	DP Updates

COPYRIGHT RESERVED: this design and drawing is the exclusive property of aka architecture + design and cannot be used for any purpose without the written consent of the Architect. This drawing is not to be used for construction until issued for that purpose by the Architect.

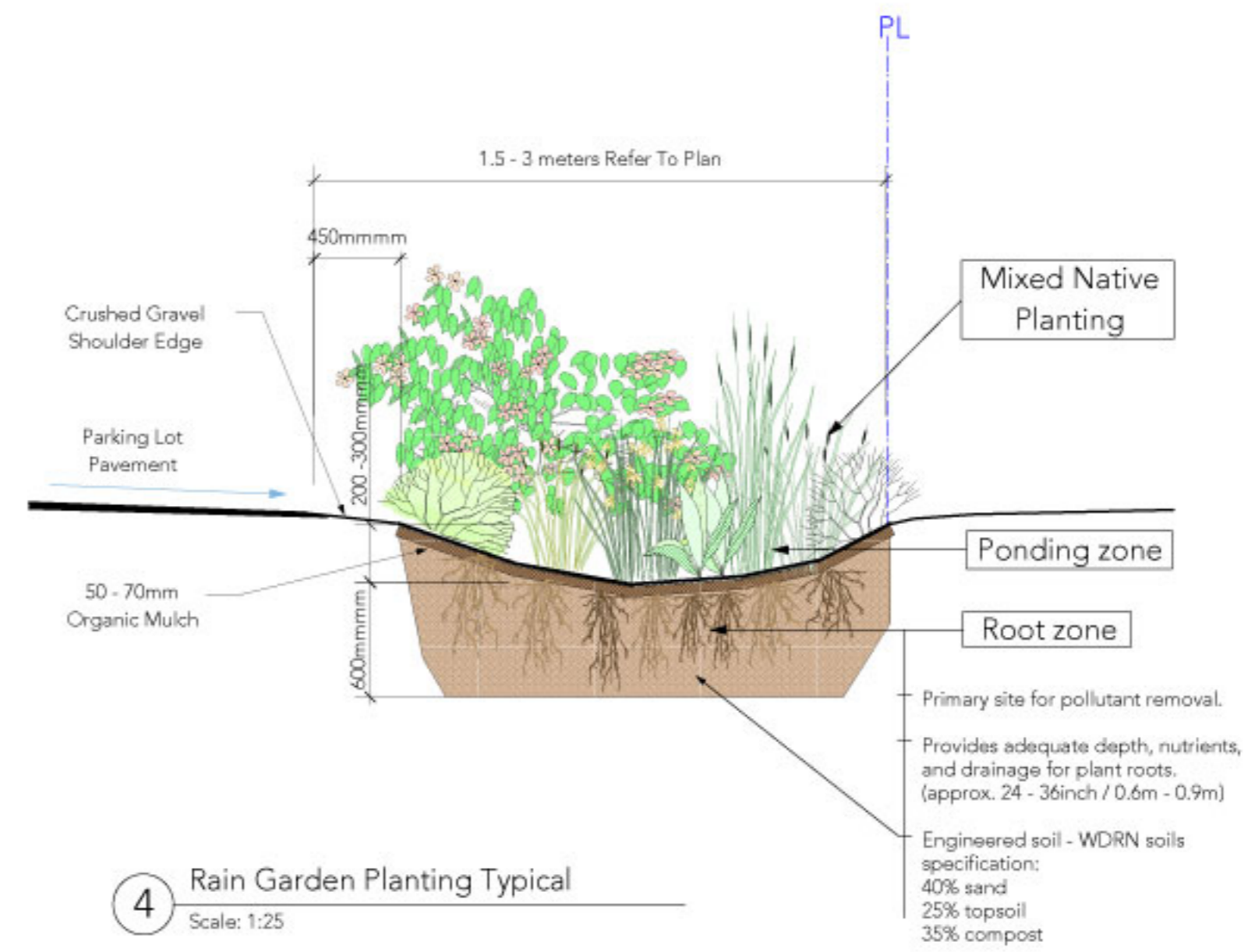
PRIOR TO COMMENCEMENT OF THE WORK: the Contractor shall review and verify drawing dimensions, datum and levels to identify any discrepancies between information on this drawing and 1) actual site conditions and; 2) the remaining Contract Documents. The Contractor shall bring these items to the attention of the Architect for clarification before proceeding with work. Examine all discipline drawings, specifications, and schedule and related work to ensure that work can be satisfactorily executed. Conflicts or discrepancies to be brought to attention of the Architect.



1 Tree Planting Typical
Scale: 1:50

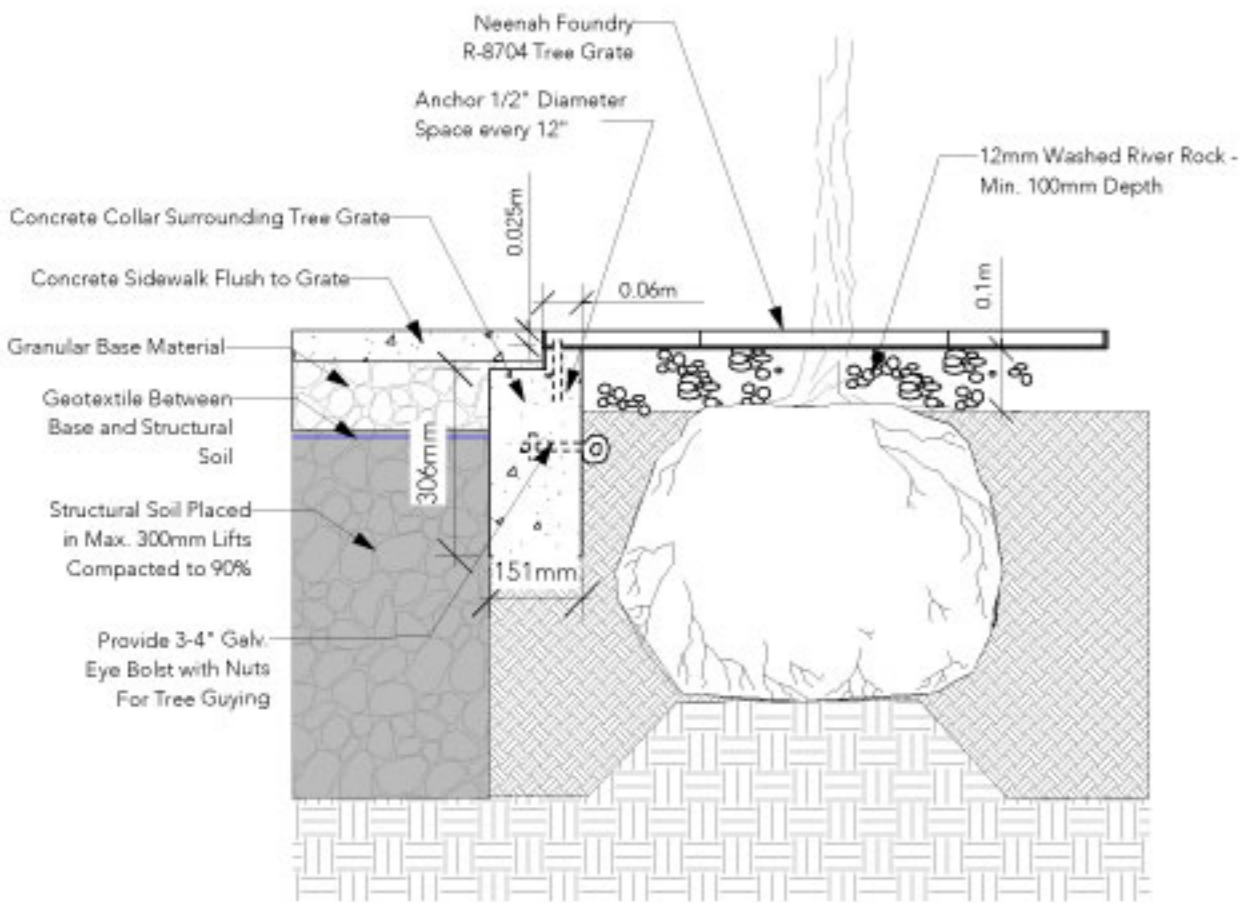


2 Shrub Planting Typical
Scale: 1:25

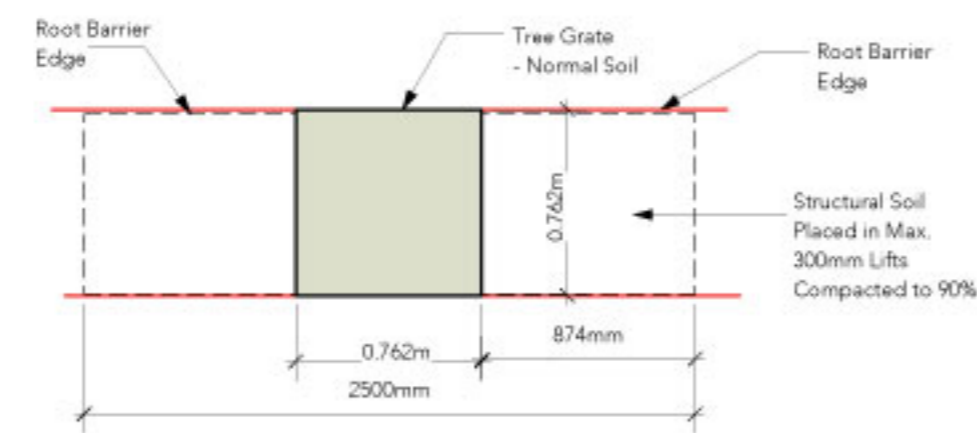


4 Rain Garden Planting Typical
Scale: 1:25

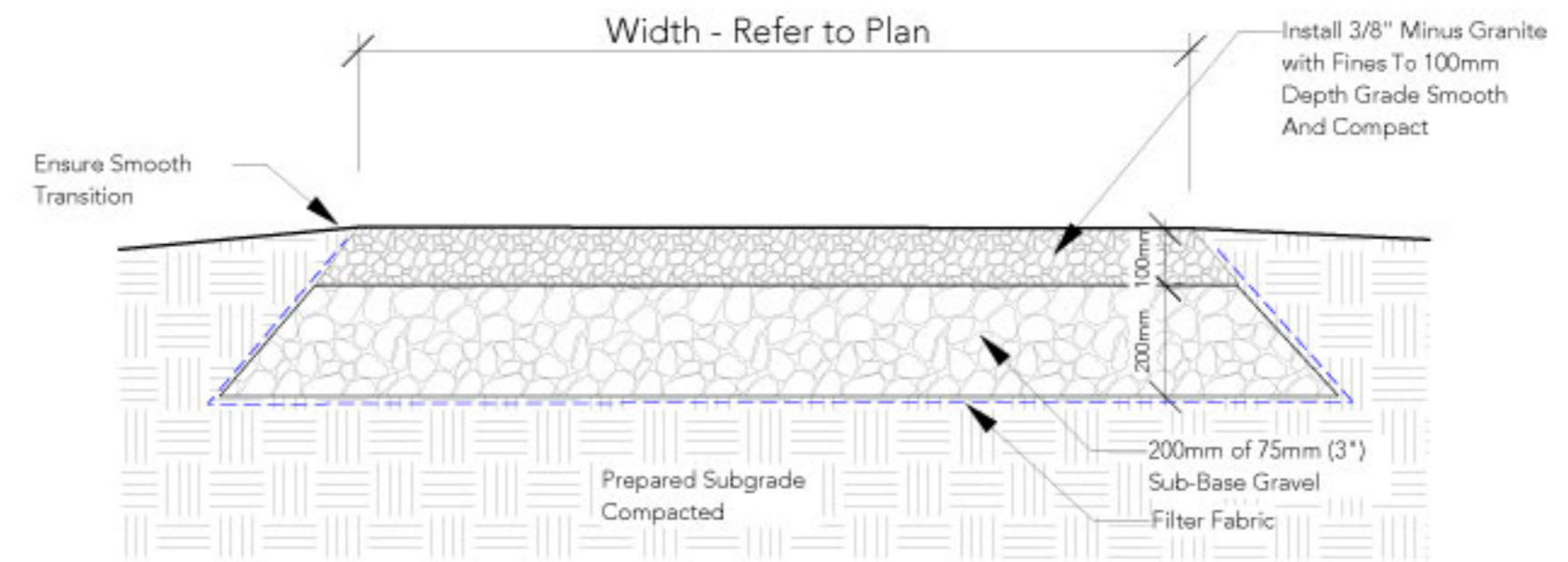
Note: Frames must be positioned before concrete is poured and must be level to prevent any rock of tree grates.



3 Street Tree Planting Typical
Scale: 1:10



3b Street Tree Planting Plan View
Scale: 1:25



1. Ensure Positive Drainage For All Areas.
2. On Trail, Eliminate Areas Where Ponding Or Puddles Might Occur By Filling All Depressions And Re-grading As Required.

5 Gravel Trail Typical
Scale: 1:10

2. Revised for DP Comments 21-03-17
1. Issue for DP 06-03-17



TOM BARRATT LTD.
Landscape Architects

8605 Drifler Way Whistler, BC Canada V0W 1B8
7604.932.3040 info@tbl.com
www.tbls.com

PROJECT

**GreenTech
Centre
Squamish, BC**

DRAWING TITLE

**Landscape
Details**

DATE	Feb. 10, 2017	SCALE
PROJECT #	900	ITEM
REVISION #	0	SHEET

L5.0

